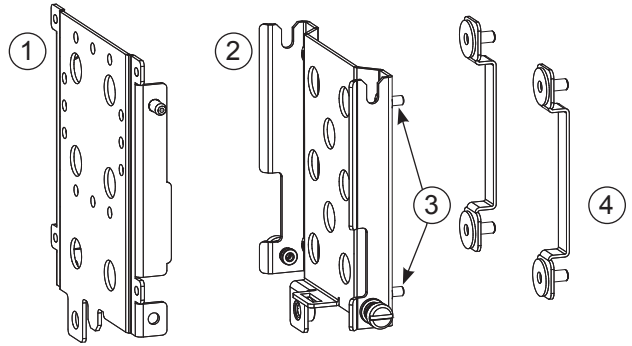


Wi-Fi Radio Mounting Bracket Installation Instructions

| Kit Contents (Alpha p/n 746-623-20) | | | |
|-------------------------------------|--------------------------|-------------|----------|
| Item | Description | Part number | Quantity |
| 1 | Mounting bracket, top | 607-008-B1 | 1 |
| 2 | Mounting bracket, bottom | 607-006-B1 | 1 |
| 3 | Captive screw, M5 x 12mm | 630-713-12 | 4 |
| 4 | Strap, M5 screw | 607-007-B1 | 2 |



WARNING! GENERAL AND ELECTRICAL HAZARD

- Exercise **EXTREME CAUTION** when using tools on the enclosure. Remove equipment, wiring and batteries from the working area.
- Lead-acid batteries contain dangerous voltages, currents and corrosive material. Only authorized personnel can perform battery installation, maintenance, service and replacement.

Tools required

- 3/8" drive hand drill
- 5.5mm (7/32") drill bit
- Brush to remove metal shavings
- Center punch
- Level
- #2 Phillips screwdriver
- Torque wrench with #2 Phillips head extension

Attaching the bracket to the enclosure

1. Select a device-appropriate exterior mounting location on the enclosure.
2. Prepare the work area by removing equipment and wiring from the drilling area.
3. Level the bottom plate of the mounting bracket and use the center punch to mark the location of the four mounting holes (see Fig. 1).
4. Drill four 5.5mm (7/32") through holes.
5. Remove any metal shavings from the inside of the enclosure.
6. Attach the mounting bracket bottom plate to the enclosure via the two interior mounting straps (see Fig. 2). Use a #2 Phillips screwdriver to set the screws in place, then use a torque wrench with a #2 Phillips extension to torque the screws to a value of 3.0-4.0 Nm (27-36 in-lb).

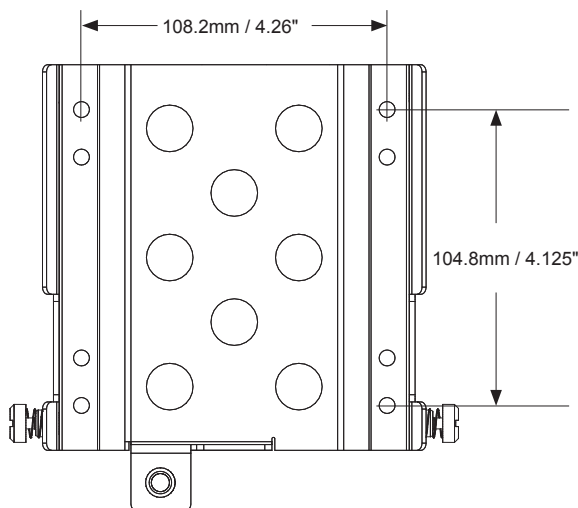


Fig. 1, Mounting hole dimensions

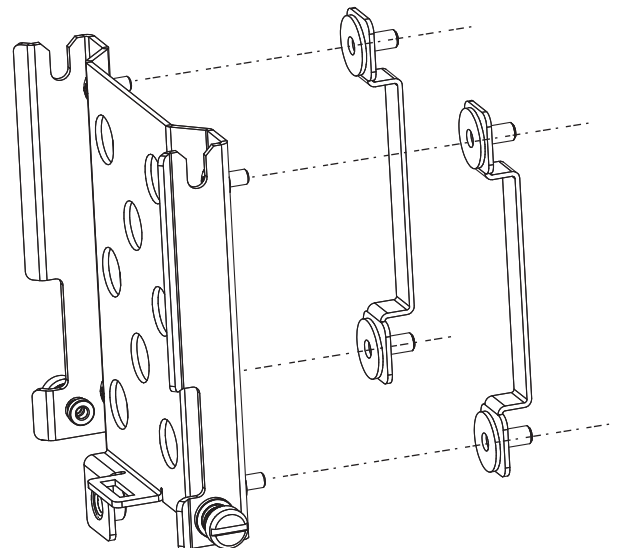


Fig. 2, Attaching mounting plate base to interior straps

Attaching the Wi-Fi device to the bracket

- Use the appropriate mounting hole pattern (shown as dashed lines in Fig. 3) and attach the Wi-Fi device to the top piece of the mounting bracket. Tighten the fasteners to the manufacturer's recommendations.

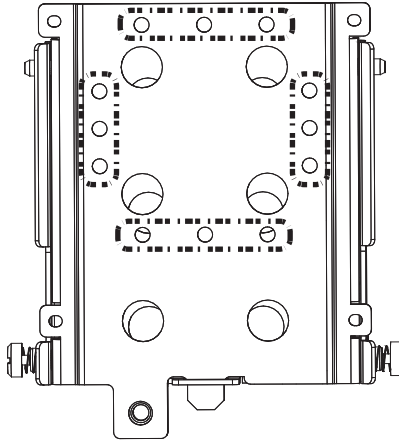


Fig. 3, Mounting holes for Wi-Fi devices

- Slide the top mounting bracket plate onto the bottom plate. Verify the locating pins are seated in their cutouts and the tab is located in its slot.
- Tighten the spring-loaded fasteners.
- The top and bottom plates can be secured via a customer-supplied size M12 security fastener.

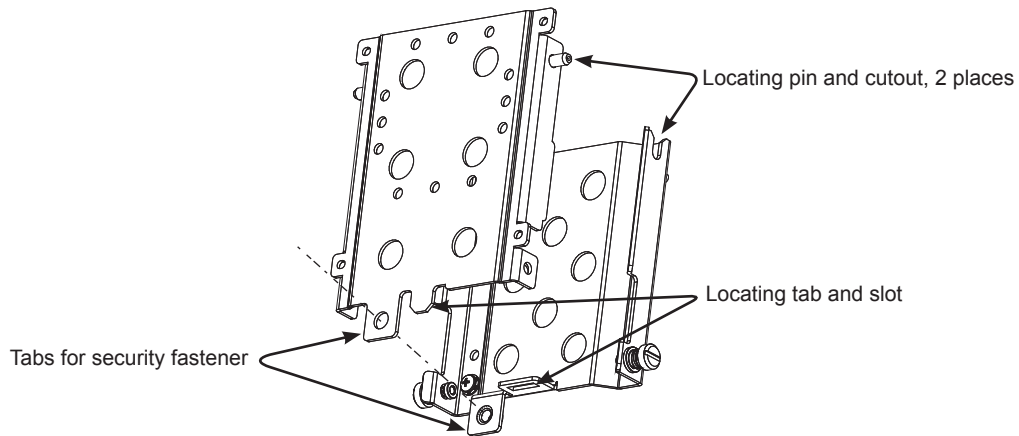


Fig. 4, Attaching the top plate to the bottom plate

- Replace/reconnect any equipment moved in Step 2.
- Connect the Wi-Fi device and validate its installation.
- Secure the enclosure; the procedure is complete.

Worldwide Corporate Offices

North America

Tel: +1 360 647 2360
Fax: +1 360 671 4936

Europe

Tel: +49 9122 79889 0
Fax: +49 9122 79889 21

Latin America

Tel: +561 792.9651
Fax: +561 792.7157

Asia Pacific

Tel: +852 2736.8663
Fax: +852 2199.7988